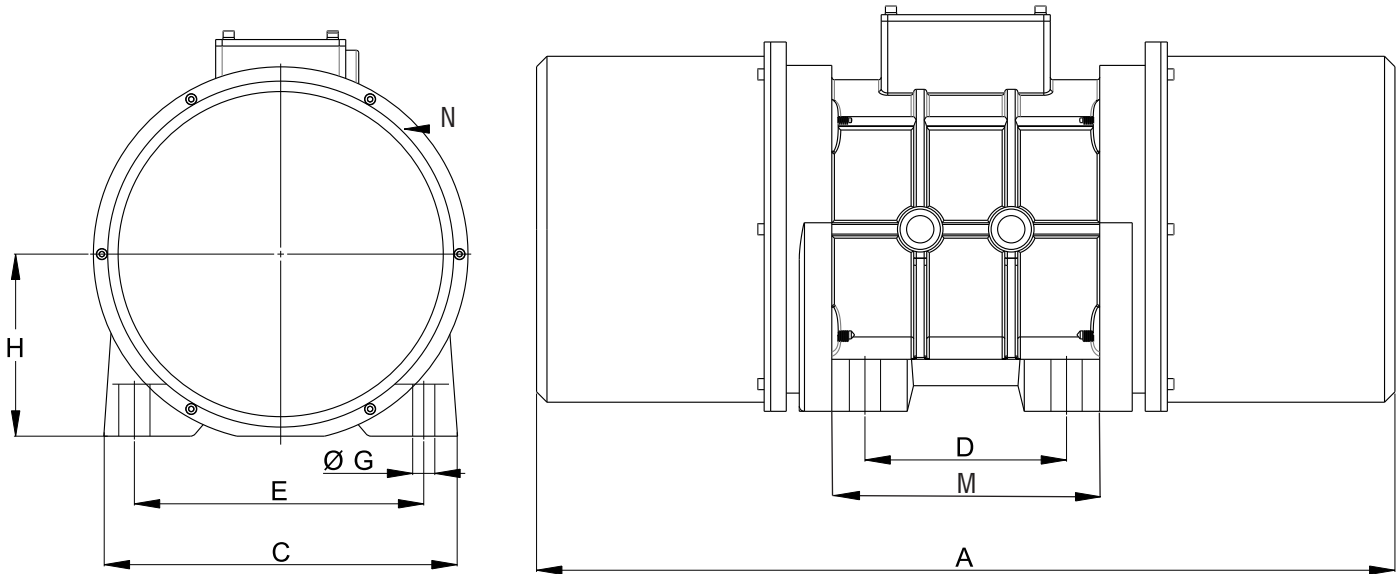


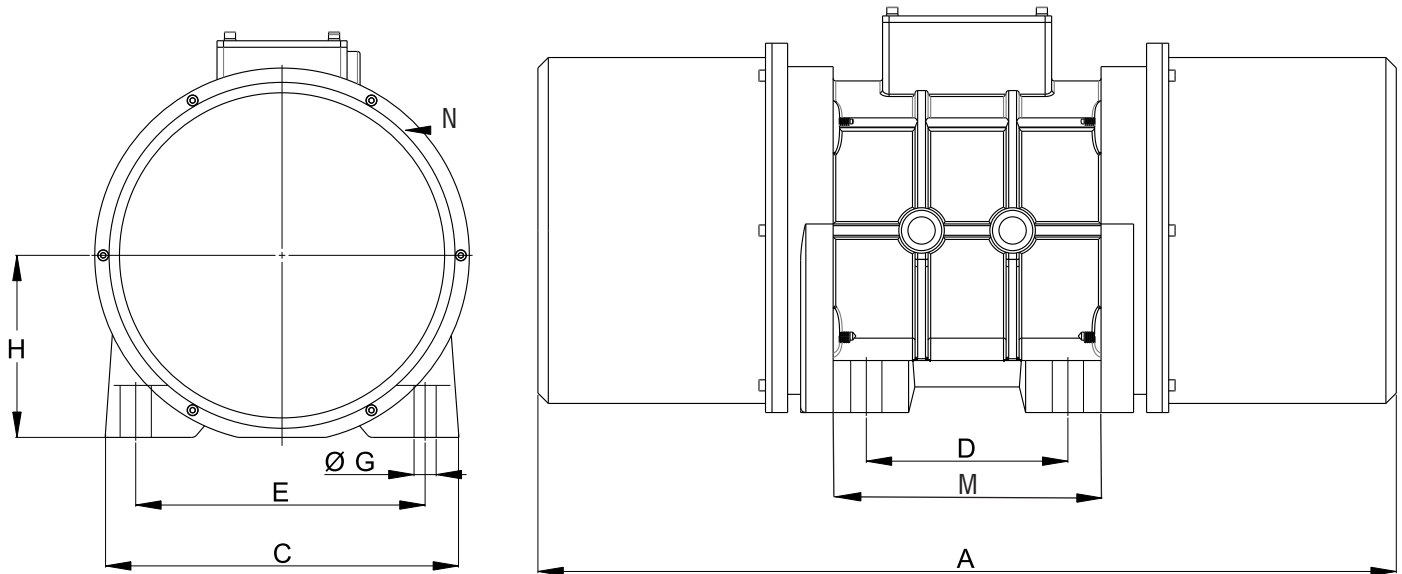
## Dimension chart for Vibrator Motors



### 2Pole - 2880rpm

S. No.	Model	HP	RPM	A	B	C	D	E	G	F	H	M	N	Motor Weight in	Working moment in	Cf,N
1	SMV2 - 1	0.25	2800	223	156	160	68	126	9	20	64	88	117	9.51	1.139	1189
2	SMV2 - 2	0.5	2800	304	186	210	106	162	12	22	80	140	141	16.60	3.57	6639
3	SMV2 - 3	0.75	2800	324	200	203	120	150	12	20	90	160	177	26.10	2.8	5433
4	SMV2 - 4	1	2800	324	200	203	120	150	12	20	90	160	177	26.10	2.8	5433
5	SMV2 - 5	1.5	2800	535	225	260	100	210	17	35	108	215	195	52.00	8	16451
6	SMV2 - 6	2	2800	535	225	260	100	210	17	35	108	215	195	52.00	8.3	17000
7	SMV2 - 7	3	2800	485	275	260	144	216	20	45	130	145	227	71.00	11.374	24180
8	SMV2 - 8	5	2800	492	250	230	180	280	17	45	115	190	227	112.00	12.236	28328

## Dimension chart for Vibrator Motors



### 4Pole - 1440rpm

S. No.	Model	HP	RPM	A	B	C	D	E	G	F	H	M	N	Motor Weight in	Working moment in	Cf,N
1	SMV4 - 1	0.25	1440	223	156	160	68	126	9	20	64	88	11+	9.81	0.3	336
2	SMV4 - 2	0.5	1440	304	186	210	106	162	12	22	80	140	141	18.10	0.45	824
3	SMV4 - 3	0.75	1440	324	200	203	120	150	12	20	90	160	177	25.60	0.5	926
4	SMV4 - 4	1	1440	324	200	203	120	150	12	20	90	160	177	25.60	0.55	956
5	SMV4 - 5	1.5	1440	535	225	260	100	210	17	35	108	215	195	46.60	11	20324
6	SMV4 - 6	2	1440	535	225	260	100	210	17	35	108	215	195	67.11	11.5	21035
7	SMV4 - 7	3	1440	485	275	260	144	216	20	45	130	145	227	98.62	26	50944

### 6Pole - 960rpm

S. No.	Model	HP	RPM	A	B	C	D	E	G	F	H	M	N	Motor Weight in	Working moment in	Cf,N
1	SMV6 - 1	0.25	960	304	186	210	106	162	12	22	80	140	141	17.00	0.2	318
2	SMV6 - 2	0.5	960	324	200	203	120	150	12	20	90	160	177	25.60	0.5	335
3	SMV6 - 3	0.75	960	324	200	203	120	150	12	20	90	160	177	36.67	2.9	5140
4	SMV6 - 4	1	960	535	225	260	100	210	17	35	108	215	195	68.00	6.7	12000
5	SMV6 - 5	1.5	960	535	225	260	100	210	17	35	108	215	195	70.00	6.7	12197
6	SMV6 - 6	2	960	485	275	260	144	216	20	45	130	145	227	79.00	7.3	12991