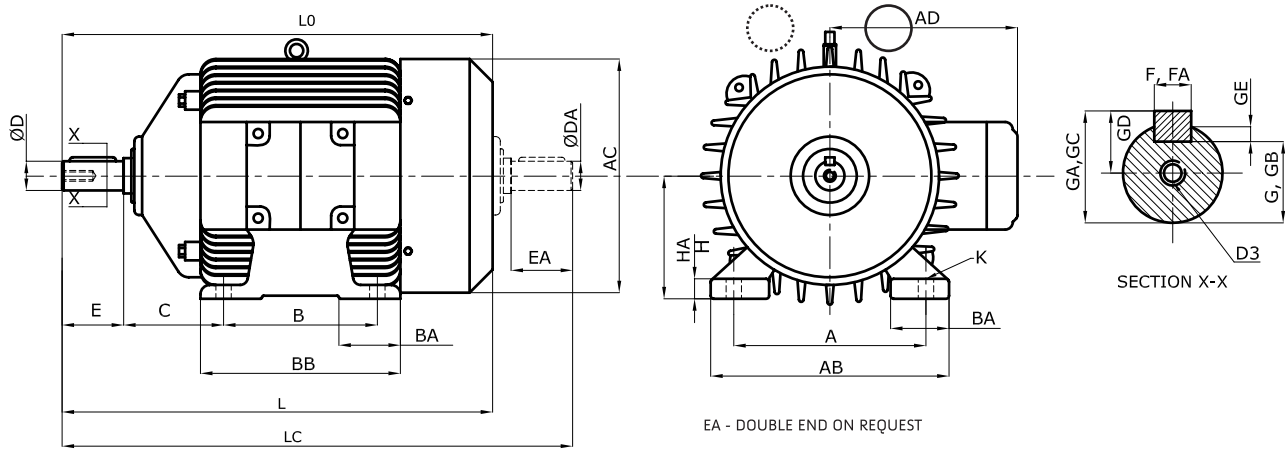


Dimension Chart For Foot Mounted Motor (B3) Ref : IS 1231 - 1974



size	A	B	C	H	K	L	LC	LO	AB	AD	BB	D,DA	E,EA	F,FA	GA,GC	G,GB	D3	GD	GE
71	112	90	45	71	7	235	270	120	142	-	130	14j6	30	5	16	11	M5	5	3
80	125	100	50	80	10	272	317	140	155	122	130	19j6	40	6	21.5	15.5	M6	6	3.5
90S	140	100	56	90	10	290	345	168	170	133	155	24j6	50	8	27	20	M8	7	4
90L	140	125	56	90	10	315	370	168	170	133	155	24j6	50	8	27	20	M8	7	4
100L	160	140	63	100	12	360	425	193	195	146	170	28j6	60	8	31	24	M8	7	4
112M	190	140	70	112	12	385	450	200	230	170	175	28j6	60	8	31	24	M8	7	4